

ORWAK 3220

3220 is a versatile baler that meets the market demand for an extra low-built machine. It is perfect for cardboard and plastic and the low height simplifies transportation and installation, provides broad placement options and is ideal, where the ceiling height is a challenge!



**LOW
HEIGHT**



**250 KG
BALE WEIGHT
CARDBOARD**

ORWAK BENEFITS



MORE PRODUCTIVE USE OF TIME

Less time spent on waste handling, more time for your core activities!

MORE SPACE & ORDER

Our balers rapidly minimize the space the waste takes up, keeping aisles free and tidy.

LESS COSTS, MORE VALUE

More compaction = less waste volume to transport. Fewer transports required results in lower transportation costs and reduced CO₂ emissions. Sorting at source yields a higher quality of waste material for recycling.

WHY ORWAK 3220?

- Extra compact machine design facilitates transportation and installation
- Powerful compaction of large volumes of waste
- Intelligent features, user-friendly panel and ready for the optional Connect communication service

ORWAK
PART OF SULO GROUP

ORWAK 3220

Extra low installation height

COMPACT MACHINE DESIGN

This model comes with a cross cylinder and offers an extra compact machine design with a transport and installation height of only 2000 mm. The low height simplifies transportation to the installation site and provides broad location opportunities.

EVERY SECOND COUNTS

The baler is fast and with a cycle time of just 16 sec, it is ready for a new load of cardboard boxes or plastic foil in no time and auto start is a standard feature! 3220 can be operated manually but is preferably run in auto mode for maximum productivity and convenience.



Simply push two buttons for bale ejection!

- User-friendly panel
- Silent operation



Pipes for easy bale strapping

ORWAK 3220 IS OPTIMIZED FOR:

PAPER

- Cardboard
- Shredded paper

PLASTIC FOIL

- Shrink film
- Plastic bags

READY TO COMMUNICATE

The PCB features data storage capacity, technical machine monitoring, communication opportunities and fulfills performance level D for personal safety.

3220 is ready to communicate when choosing the option Orwak Connect. It is a modem-based communication service enabling the baler to send updates and alerts to the caretaker as well as vital information and bale statistics to the web portal.

SPECIAL PLASTIC MODE

Equipped with a special software for successful compaction of plastic foil. It gets activated when the baler is run in the manual LP mode and will keep the waste under pressure for 5 minutes to squeeze out more air from the bulky plastic.

Complies with the EN 16500:2014 safety requirement standard for vertical balers

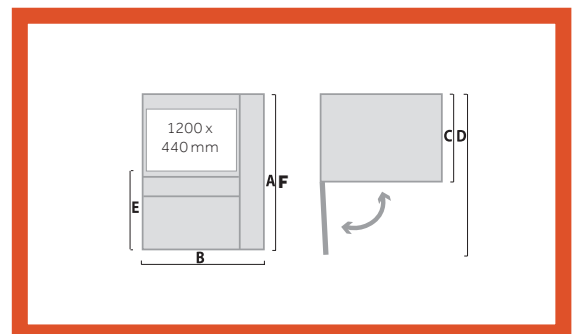
DIMENSIONS & SPECIFICATIONS

DIMENSIONS

A	B	C	D	E	F*
2000 mm	1651 mm	955 mm	2210 mm	1068 mm	2000 mm**

*Transport height

**Transport feet add 100 mm but can be removed after unloading



TECHNICAL SPECIFICATIONS

LOADING APERTURE	CYCLE TIME	PRESS FORCE	BALE SIZE	BALE WEIGHT	MACHINE WEIGHT	NOISE LEVEL	PROTECTION CLASS	OPERATING POWER
Width: 1200 mm Height: 440 mm	16 secs	18 ton, 180 kN	Width: 1200 mm Depth: 710 mm Height: 850 mm	Cardboard: Up to 250 kg Plastic: Up to 290 kg	1131 kg	≤ 65 db (A)	IP 55	3-phase 3x400 V, 50 Hz

We reserve the right to make changes to specifications without prior notice. Bale/bag/bin weights are dependent upon material type.

ORWAK AB

Svetsaregatan 4
S-576 33 Sävsjö
SWEDEN
Tel: +46-(0)382-15700
info@orwak.com

ORWAK.COM

ORWAK
PART OF SULO GROUP